



EC2002 Altitude Encoder Installation Manual

Microair Avionics Pty Ltd

ACN 646 664 459
601 Curtin Ave East
Pinkenba QLD 4065
Australia

Phone: +61 7 4160 8200
Email: support@microair.aero
sales@microair.aero
Web: www.microair.aero

About This Document

This manual describes the installation of the Microair EC2002 altitude encoder. Microair has supplied additional information to enable the EC2002 to be installed with a variety of transponders.

The manual is a restricted document, and may not be amended, copied, or distributed, without the written permission of Microair Avionics.

© Microair Avionics Pty Ltd



CURRENT REVISION STATUS

Revision	Date	Change
1.0	23/09/03	Initial Draft
01R2	18/05/07	Specifications and calibration procedures updated
01R3	28/06/07	Minor amendments
01R4	09/07/07	Update Microair UAV format
01R5	12/05/08	Warranty Statement Upgrade
01R6	15/07/08	Updated to reflect changes in 01R7-2 version hardware and 01R7-2 software
01R7	07/09/08	Changed reference to maximum altitude to 38,000ft
01R8	24/11/08	3 view drawing updated
01R9	07/01/09	Weight data added
01R10	25/02/09	Limited Warranty Updated
01R11	24/04/09	repair@microair.com.au - email change
01R12	16/04/10	Microair altitude data format amended to add CRC
01R13	17/02/14	Removed all reference to user field calibration
01R14	25/07/14	Removed reference to internal switch settings

TABLE OF CONTENTS

1.0	INTRODUCTION	4
1.1	ATSO APPROVAL	4
1.2	RTCA COMPLIANCE	4
2.0	DESCRIPTION	5
3.0	INSTALLATION	6
3.1	PHYSICAL REQUIREMENTS	6
3.2	ELECTRICAL REQUIREMENTS	7
4.0	SERIAL ALTITUDE OUTPUT	8
5.0	TECHNICAL DRAWING	9
6.0	WIRING DIAGRAMS	10
6.1	GILLHAM OUTPUT	10
6.2	SERIAL OUTPUT	10
7.0	LIMITED WARRANTY	11

1.0 INTRODUCTION

This manual describes the performance specification, installation methods, and calibration procedures of the EC2002 Altitude Encoder.

1.1 ATSO Approval

Pending.

1.2 RTCA Compliance

- The EC2002 hardware development is compliant to RTCA/DO-254 level C.
- The EC2002 software development is compliant to RTCA/DO-178B level C.
- The EC2002 is compliant to DO-160D for following:

[(A1)(D1)X]CAB[SRU]XXXXXXABABA[UU]Z[XXXX]XXX

2.0 DESCRIPTION

The EC2002 is housed in a 1mm black anodised case, with a mounting flange at each side.

Fitted to one end of the case are a DB15 male connector for all electrical connections and a female 1/8" NPT fitting for connection to the aircraft's static air pressure system. At the opposite end is the nameplate showing the compliance statements, the part number, serial number, and mod status.

The top of the case is fitted with a label which has the pin assignments for the DB-15 connector, and clearly identifies the NPT fitting.

The EC2002 is fitted with a sensitive pressure transducer to sense the air pressure present at the NPT fitting. The transducer output is "digitised" into a numerical value and outputted as an altitude via the 10 line Gillham interface and simultaneously to the serial data interface. The EC2002 will typically start outputting altitude data 10 seconds after being turned on.

The working altitude range is between -1000 feet and +35,000 feet.

The EC2002 is temperature controlled to ensure the pressure transducer is at nominal temperature, in an ambient temperature range of -20 to +55 degrees C. A heater element maintains the pressure transducer core temperature within operational specification. Power consumption with the heater element off is 10mA, and a maximum of 100mA @ 14V or 200mA @ 28V with the heater element on. The heater will be fully off when ambient air temperatures are above 15 degrees C.



IMPORTANT NOTE

The EC2002 will cease outputting altitude data if:

- 1. The pressure altitude goes above 35,000 feet*
- 2. The pressure altitude drops below -1000 feet*
- 3. The sensor temperature is not within operational range*

3.0 INSTALLATION

Microair Avionics recommends that the EC2002 be typically positioned on the fire wall behind the instrument panel. If this position is not possible, the EC2002 can be attached to any flat surface, or purpose made bracket, and retained with 3mm (1/8") hardware via the holes (8) in the mounting plate. The EC2002 should be supported by a minimum of two points on the mounting flanges.



IMPORTANT NOTE

No additional holes are to be drilled into the case for the purpose of mounting.

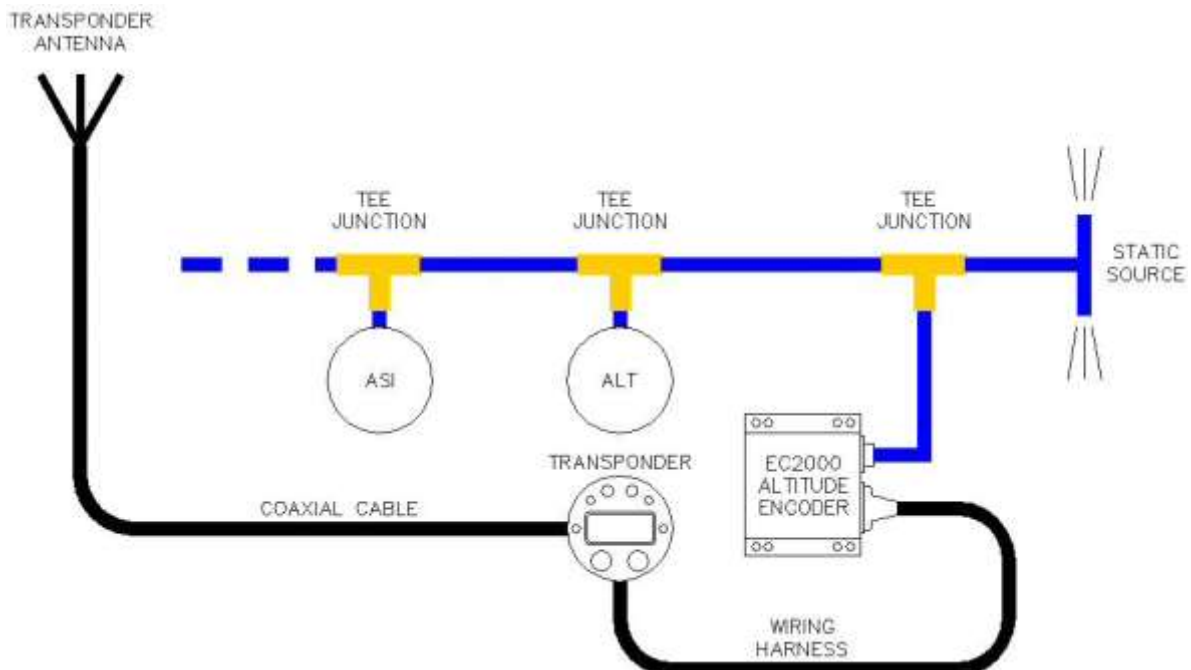
Microair recommends that the installer should consider the fact that the encoder may have to be dismantled to allow for recalibration periodically. The retaining hardware should be easy to remove, or the HIGH and LOW key holes should be accessible in the installed position.

3.1 Physical Requirements

The EC2002 may be installed in either a pressurised or non-pressurised cabin. The EC2002 should however ideally be located:

- In an area where the temperature can be reasonably controlled
- Away from cold air vents
- Away from heater elements or hot air vents
- Away from coaxial cables

Microair recommends that the EC2002 and the aircraft's altimeter be the first two items plumbed on to the static line. This will make isolating the rest of the aircraft easy to do when the system requires a calibration check.



After installing, remove the dust plug from the NPT fitting, and connect the static hose line ensuring the NPT connector is sealed using thread tape or an appropriate sealer (not silicone). Connect the wiring harness terminated with a DB-15 from the transponder, to the DB-15 fitting adjacent to the NPT fitting on the EC2002. Ensure that the DB-15 thumbscrews are secured to the hex-nuts on the EC2002's case.

3.2 Electrical Requirements

All wiring associated with the EC2002 installation in an aircraft, should comply with FAA AC 43.13-1A Chapter 11 or equivalent requirements. All wiring should be a minimum 22AWG in size.

Power may be supplied to the EC2002 as a switched supply from the transponder, or directly from the aircraft bus. The EC2002 can operate with a supply voltage ranging from +10V to +33V. The maximum current requirement for the EC2002 is 200mA (heater element full on, 24V Supply).

Where the power for the EC2002 is to be supplied from the aircraft bus, the positive line should be switched and passed via a circuit breaker with a rating of no greater than 1 A. Both the switch and the circuit breaker should be clearly labelled as "ALTITUDE ENCODER". A dedicated ground line should be run from the EC2002 to the transponder, and be grounded to the transponder's power ground to ensure correct signal levels.

EC2002 Pin Assignment		TRANSPONDER PIN ASSIGNMENTS					
		Microair T2000SFL	King KT76A	Terra TRT250	Narco AT-150	Garmin GTX 320	Collins TDR-950
1	D4	21					
2	A1	9	M	5	7	3	12
3	A2	10	K	17	6	5	10
4	A4	11	J	16	8	6	7
5	B1	12	E	15	12	9	6
6	RS232 In						
7	RS232 Out	5					
8	V+	2	A/C V+	A/C V+	18	14	A/C V+
9	B2	13	C	2	10	11	5
10	B4	17	B	14	9	12	4
11	C1	18	D	3	14	10	8
12	C4	20	H	18	13	7	9
13	C2	19	L	4	11	4	11
14	V+	2	A/C V+	A/C V+	18	14	A/C V+
15	GND	3	A/C Gnd	A/C Gnd	5	13	A/C Gnd

Notes

1. V+ means input voltage, either switched from the transponder or direct from the aircraft bus.
2. A/C V+ means aircraft supply voltage – positive.
3. A/C Gnd means aircraft ground – negative.
4. Where the power is not supplied directly from the transponder, it is recommended that an indicator light be installed to show when power is being supplied to the encoder.

4.0 SERIAL ALTITUDE OUTPUT

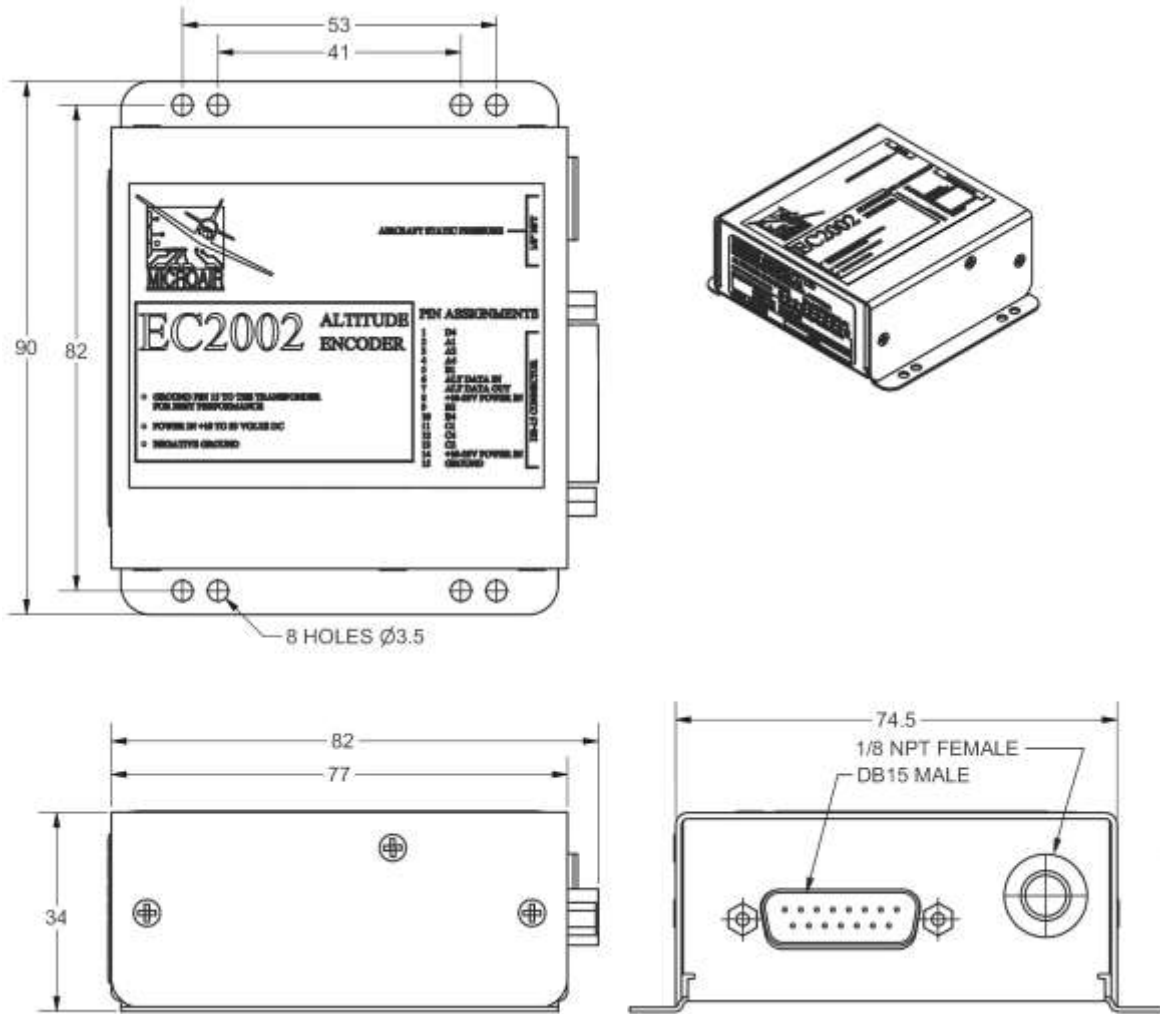
The EC2002 will output a formatted ASCII message on an RS232 Data Interface. This message contains the current pressure altitude with reference to 1013.2milli-bars or 29.92 inches mercury. All formats use 8 data bits, 1 start bit, 1 stop bit & no parity.

Format	Baud Rate	Message Formatting	Example Message (5200 feet above MSL)
Garmin AT	1200bps	#AL, space, +/- sign, five altitude digits, T+25, checksum, carriage return	#AL +05200T+25D8[CR]
Magellan	1200bps	\$MGL, +/- sign, five altitude digits, T+25, checksum, carriage return	\$MGL+05200T+250C[CR]
Northstar, Garmin	2400bps	ALT, space, five altitude digits, carriage return	ALT 05200[CR]
Trimble, Garmin	9600bps	ALT, space, five altitude digits, carriage return	ALT 05200[CR]
Microair	9600bps	STX, a=, - (if negative), five altitude digits, ETX, check sum	[STX]a=05200[ETX]9A

Notes:

1. The factory default setting is "software controlled" and set to GARMIN AT output with 100' step resolution.
2. The software controlled option allows the EC2002 to be configured from terminal software applications.
3. The Gillham output is always present and remains at 100' step output regardless of what serial data settings are used.
4. The Microair T2000SFL (Rev 8) will self detect any of the above protocols. Refer to the T2000SFL User Manual to select serial altitude data instead of Gillham altitude data.

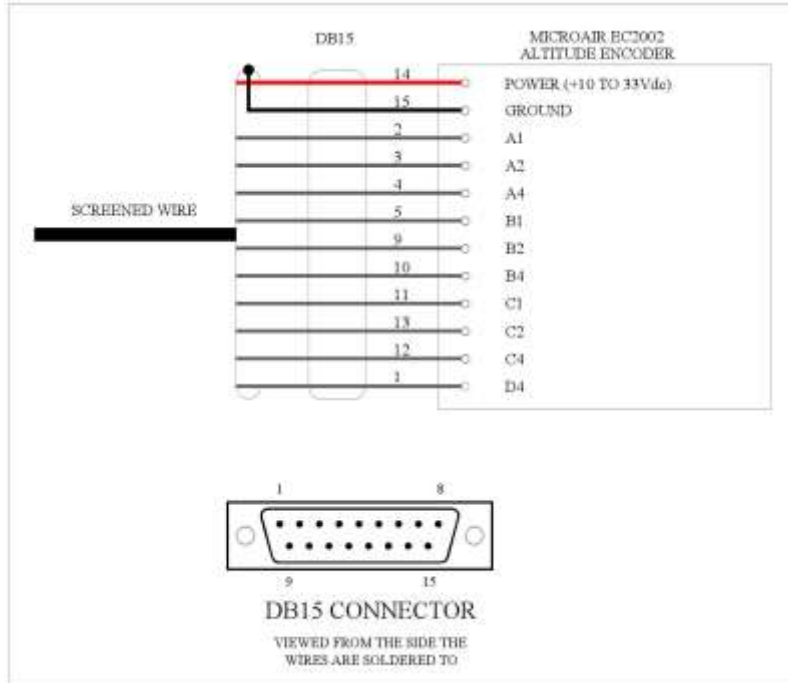
5.0 TECHNICAL DRAWING



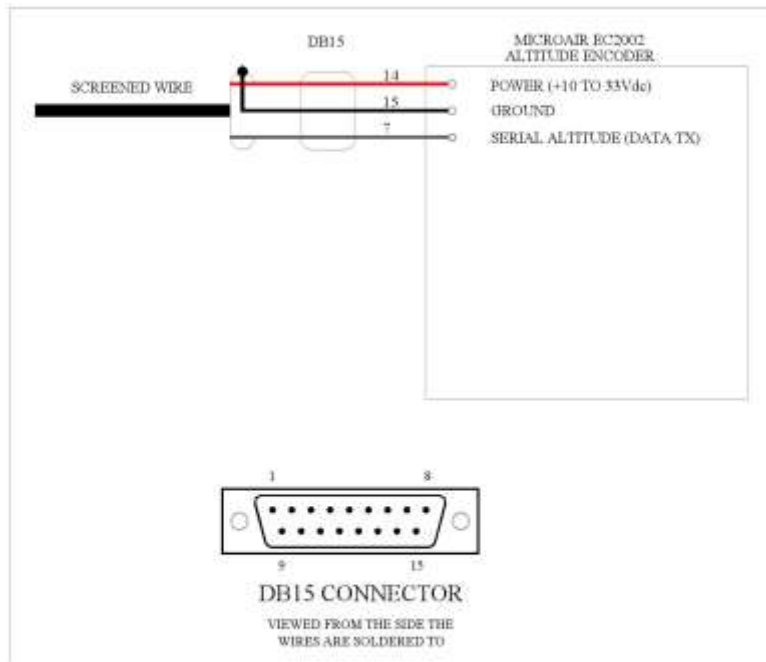
WEIGHT = 95g (3 ½ oz)

6.0 WIRING DIAGRAMS

6.1 Gillham Output



6.2 Serial Output



7.0 LIMITED WARRANTY

Microair Avionics provides a standard Limited Warranty for all New, Factory Reconditioned, Factory Exchanged or Repaired Articles. Refer to the Microair Limited Warranty policy online at the following web address for more information.

www.microair.aero/warranty-support