

Microair Avionics



T2000UAV-S TRANSPONDER INSTALLATION AND USER MANUAL



Microair Avionics Pty Ltd

601 Curtin Ave E.

Pinkenba QLD 4008

Australia

Tel: +61 7 160 8200

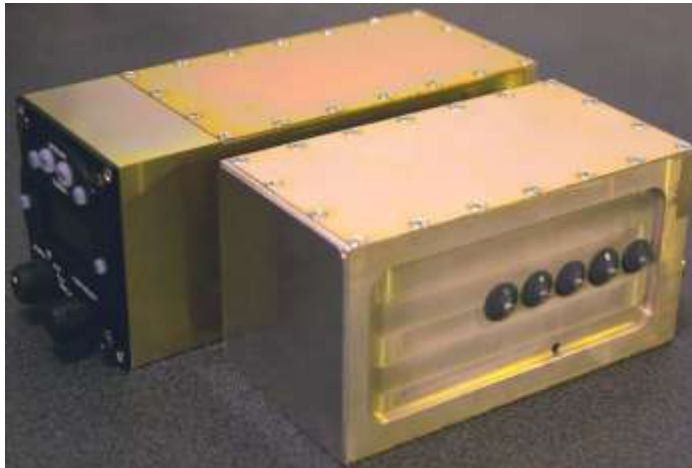
e-mail: sales@microair.aero



About This Document

This supplement describes the installation option, and software controls for the T2000UAV-S transponder, operating with software revision T2000UAV-S_1R6.5.

Microair reserves the right to amend this supplement as required, to reflect any enhancements or upgrades to the T2000 transponder series.



REVISION STATUS

Revision	Date	Change
1.0	18/01/06	Separated from the T2000UAV (Rev 1.4) manual
1.1	29/03/06	Additional installation data added
1.2	01/04/06	Additional command set data added
01R1-3	04/05/06	Weight data amended
01R1-4	21/11/06	SMA version deleted & Encoder data added
01R1-5	24/01/08	N command deleted
01R1-6	12/05/08	Warranty Statement Update
01R1-7	25/02/09	Updated Limited Warranty Statement
01R1-8	24/04/09	Change email to support@microair.aero
01R1-9	01/06/09	Ping function amended

The T2000UAV-S Transponder is not a TSO'd product.

TABLE OF CONTENTS

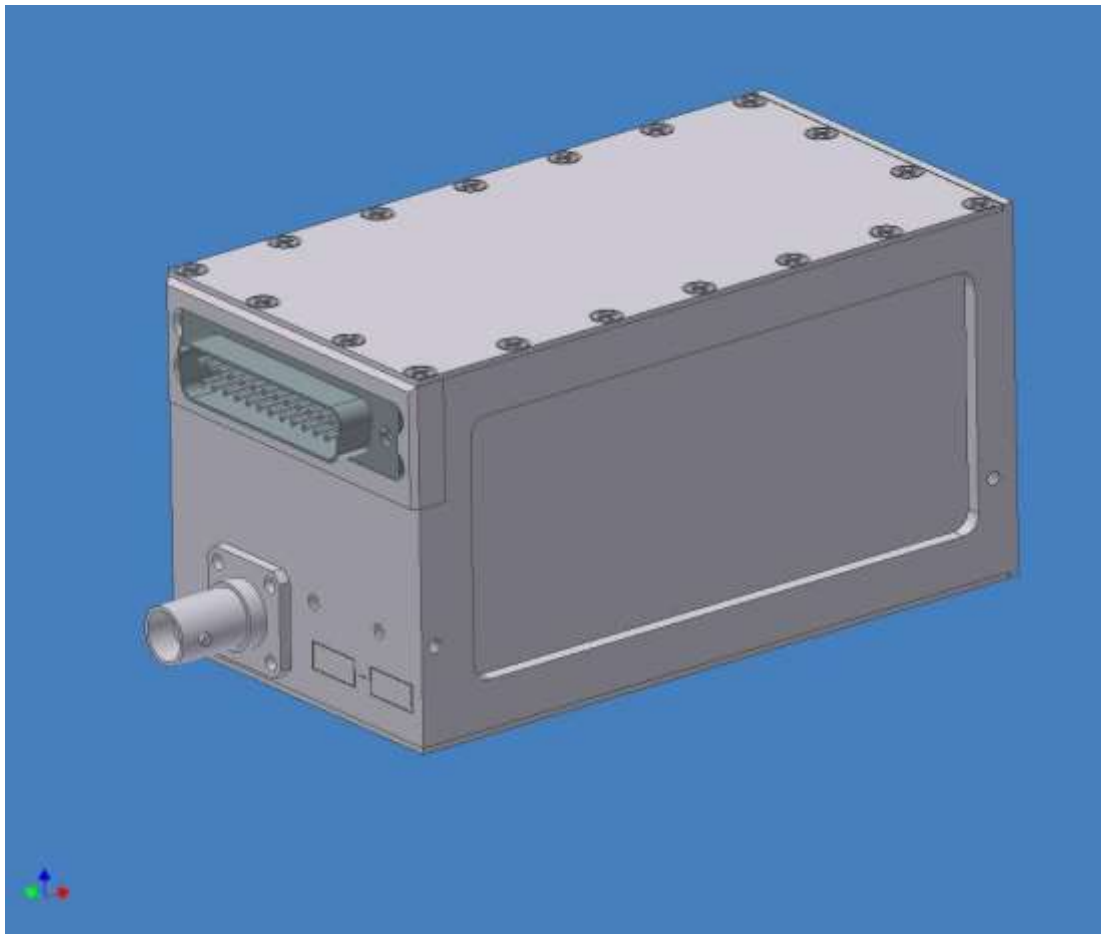
1.0	INTRODUCTION	4
2.0	T2000UAV-S DESCRIPTION	5
2.1	T2000UAV-S ANTENNA OPTIONS	5
3.0	SOFTWARE CONTROL	6
3.1	THE UAV-S TERMINAL SOFTWARE	6
3.2	THE UAV COMMAND STRUCTURE	7
3.3	DATA SPEED	7
3.4	VALID COMMANDS	8
3.4.1	Standby (s=t)	9
3.4.2	Mode 3A (s=a)	9
3.4.3	Mode C (s=c)	9
3.4.4	Ident (i=s)	9
3.4.5	Altitude (a=?)	9
3.4.6	Altitude Source (d=?)	9
3.4.7	Encoder Power (e=?)	10
3.4.8	Voltage (v=?)	10
3.4.9	Reply Annunciator (r=y)	10
3.4.10	Ping Function (p=?)	10
4.0	T2000UAV-S INSTALLATION	11
5.0	T2000UAV-S TIE DOWN STRAP	12
6.0	MODE C ENCODER	12
7.0	ANTENNA	13
8.0	COAXIAL CABLE	13
9.0	WIRING	14
9.1	CABLING	14
9.2	POWER ON/OFF	15
9.3	SUPPRESSION IN / OUT	15
9.4	EXTERNAL STANDBY	15
9.5	EXTERNAL IDENT	15
10.0	TECHNICAL DRAWING	16
11.0	WIRING DIAGRAMS	17
12.0	PIN ASSIGNMENTS	22
13.0	SPECIFICATIONS	23

1.0 INTRODUCTION

The T2000UAV-S is a special version of the T2000 Transponder, designed for operation in unmanned aircraft. This product is not TSO'd due to the OEM nature of the management software. The system consisting of the T2000UAV-S, and the OEM's management software control should collectively be submitted for compliance to TSO C74c, as part of the OEM's type certificate.

The T2000UAV-S is based upon the certified T2000SFL transponder, and is known to comply with the following:

Environmental:	RTCA/DO-160D
Software:	RTCA/DO-178B
Transponder Function:	RTCA/DO-144
Transmitter Operation	FCC Approval



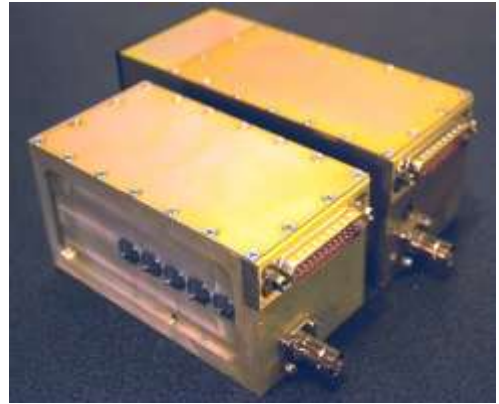
2.0 T2000UAV-S DESCRIPTION

The UAV-S version of the T2000SFL has no display. The chassis has been truncated by having the display housing milled off. The front face is plated off and sealed.

A command set allows the UAV's flight management system to have full functional control over the transponder. The RS-232 interface is accessed from the DB-25 connector on the rear face of the chassis.

The T2000UAV-S requires a standard Gillham code altitude encoder, to supply altitude data over a 10 line parallel interface.

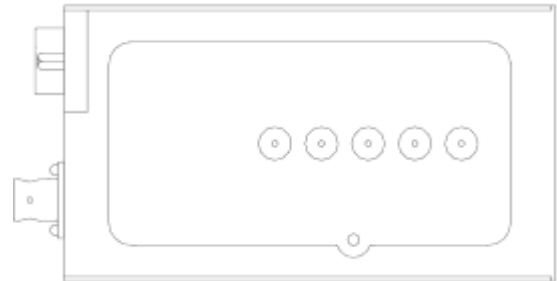
The T2000UAV-S features remote switching options, available from the rear DB-25 connector for remote standby and remote ident functions.



2.1 T2000UAV-S ANTENNA OPTIONS

The T2000UAV-S can be supplied with a standard BNC connector located on the rear face of the chassis, adjacent to the DB-25.

The T2000UAV-S can be supplied with a standard TNC connector located on the rear face of the chassis, adjacent to the DB-25.



3.0 SOFTWARE CONTROL

The T2000UAV-S can be controlled by issuing of commands in the form of ASCII characters, sent and received over an RS232 interface.

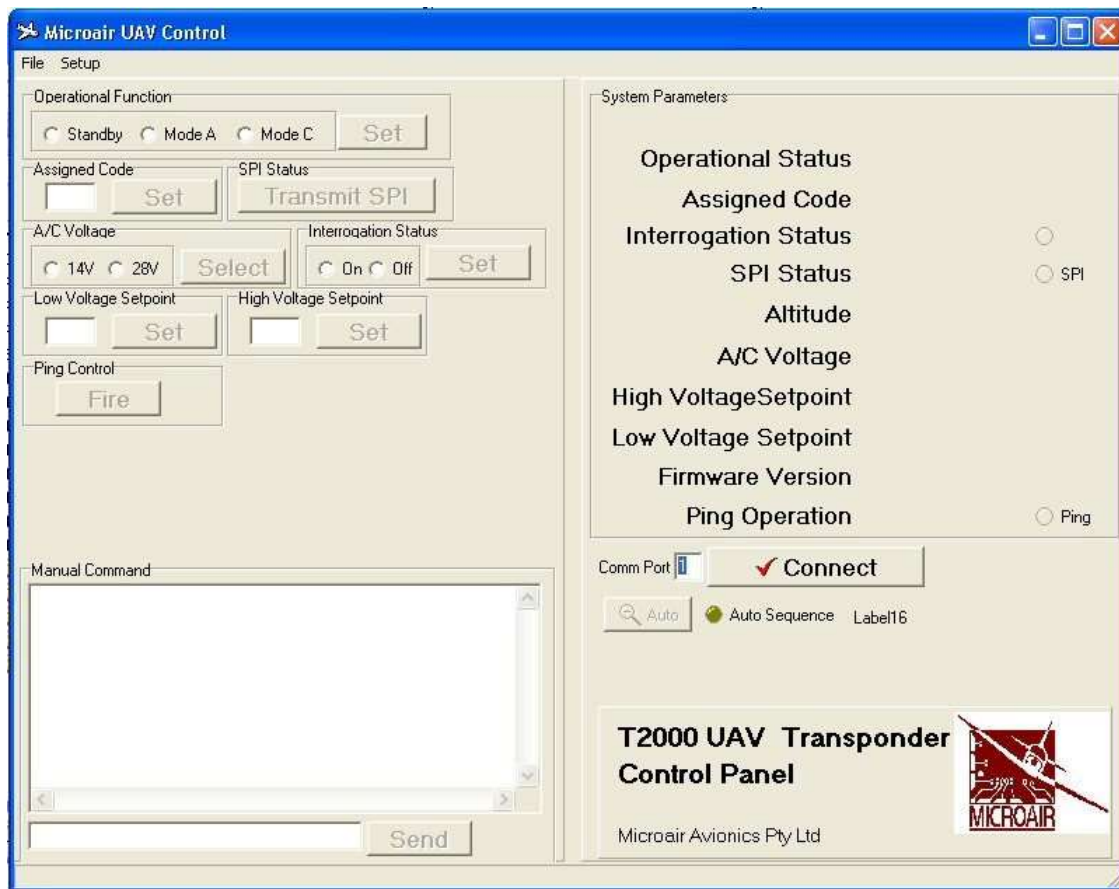
The command set can be used to either poll the transponder of the status of a parameter, or to command a function to a particular setting.

3.1 THE UAV-S TERMINAL SOFTWARE

The T2000UAV-S is supplied with terminal software to which it is capable of issuing all commands, and polling for all parameters. The terminal software is a simple EXE file, and is compatible with windows 98 through to windows XP operating systems.



The terminal software is capable of issuing all of the commands, to either poll for any of the parameters, or to set any of the parameters to discrete values.



3.2 THE UAV COMMAND STRUCTURE

The T2000UAV-S is controlled by a series of simple commands. The T2000UAV-S can be commanded to set a code, and to operate in a particular mode. Once the code is set, and the operating mode decided, the T2000UAV-S will operate until another command is received.

The status the T2000UAV-S' various operating parameters can be queried. A query command returns a value for that particular parameter.

The operator can address the T2000UAV with a command from the command set, via an RS232 interface. The command requires the correct syntax, to be valid.

The command string will consist of **STXx=<command>ETX**

Where	STX	is the non-printable ASCII character (02)
	ETX	is the non-printable ASCII character (03)
	x	is a valid command
	<command>	maybe either ? or a string of ASCII characters, if the <command> is a ?, this will evoke a response for that command

3.3 DATA SPEED

The RS232 interface for the T2000UAV-S has a data rate of:

9600,N,8,1,P	where	9600 = baud rate of 9600
		8 = 8 data bits
		1 = 1 stop bit
		P = with XON / XOFF

Refer to section 11.0 for wiring details and pin assignments.

3.4 VALID COMMANDS

CMD	Action	Write String	Response
a	Altitude (Read/Write)	a=? a=xxxxx where xxxxx=altitude in feet a=#\$*& where #\$*&=altitude in feet	a=<current altitude data> eg 1234F a=xxxxx (writes altitude data in feet to T2000UAV) a=? (invalid altitude data)
c	Assigned Code (Read/Write)	c=2212 (set code to 2212) c=? (ask for assigned code)	c=2212 (code write successful) c=<current assigned code>
d	Assign altitude source (Read/Write)	d=g (set altitude source = Gillham) d=s (set altitude source = Serial) d=?	d=g (altitude source = Gillham) d=s (altitude source = Serial) d=<current altitude source setting>
e	Encoder power control (Read/Write)	e=o (set encoder power always ON) e=c (set encoder power mode C only) e=?	e=o (Encoder power on in both mode A and C) e=c (Encoder power on in mode C only) e=<current encoder power state>
i	Ident (Read/Write)	i=s (Squawk Ident) i=? (ask for current ident status)	i=1 (1 = Ident active, 0 = Ident inactive) i=<current Ident state>
p	Ping Function	p=?	p=y (yes – ping cycle was successful) p=n (no – ping was not successful)
r	Reply Annunciator	r=y r=n r=?	* is sent if a reply was made in the last 3.6 seconds no annunciation character is sent r=<current reply annunciation state>
s	Operational Status (Read/Write)	s=t (command standby mode) s=a (command Mode A operation) s=c (command Mode C operation) s=? (ask for current operational mode)	s=t (command successful, mode = standby) s=a (command successful, mode = Mode 3A) s=c (command successful, mode = Mode C) s=<current operational mode>
v	Bus Voltage (Read/Write)	v=1 (set bus voltage to 14V) v=2 (set bus voltage to 28V)	v=13.6 (write successful, current voltage returned) v=24.8 (write successful, current voltage returned)
z	Software Revision	z=?	z=<current software revision> eg T2000U xx-x.x.x

3.4.1 STANDBY (S=T)

To bring the T2000UAV-S to the standby condition, the “s” parameter is set to value “t”. Then the transponder can then be powered down. When the T2000UAV-S is restarted, it will return in standby

The transponder should be commanded to the standby condition, when the vehicle is on the ground. The transponder is typically set to mode 3A or mode 3A/C operation once airborne.

3.4.2 MODE 3A (S=A)

The T2000UAV-S transponder will respond to all mode A interrogations with the identity code set by the “c” parameter. The transponder will also reply to all mode C interrogations with just the framing pulse (no altitude data). This ensures visibility to TCAS operators, while the transponder is operating in mode A.

3.4.3 MODE C (S=C)

The T2000UAV-S will respond to all mode A interrogations with the identity code set by the “c” parameter, and all mode C interrogations with the encoder’s altitude data, as defined by the “a” parameter. The transponder will reply to both SSR and TCAS interrogations.

3.4.4 IDENT (I=S)

The ident function is performed at the request of ATC to “squawk ident”. To initiate the ident function the “i” parameter is set to s. The T2000UAV-S will switch to ident mode, which will add an additional data bit to the outgoing replies. The additional data bit makes the transponder return on the ATC display flash to assist the controller with identification. The transponder will remain in ident mode for 18 seconds, and then return to the previous mode of operation.

3.4.5 ALTITUDE (A=?)

The T2000UAV-S will reply with the current mode C value.

If the T2000UAV-S is configured to operate with an altitude encoder the T2000UAV-S will reply with the current barometric altitude from the encoder.

If the T2000UAV-S is configured to operate with a serial altitude data source, the T2000UAV-S will reply with the last received altitude data value.

3.4.6 ALTITUDE SOURCE (D=?)

The T2000UAV-S can accept altitude data for the mode C response either from a Gillham (d=g for 10 line parallel) source or from a serial (d=s for RS232) source.

When d=g is selected the T2000UAV-S will look to the 10 line Gillham input for data from an altitude encoder.

When d=s is selected the T2000UAV-S will look for altitude data to be passed via the “a” command on the RS232 serial data link. The altitude data source shall send the a=<altitude value> where the altitude value is between -1000 and 62000 feet, in increments of 100 feet. The altitude data source should issue this data report to the T2000UAV-S no slower than 1Hz.

Where the altitude data cannot be detected from the assigned source or the data cannot be encoded, no altitude data will be outputted. The mode C response will be framing pulses only. The T2000UAV-S will question the altitude data with a=?, via the RS232 serial interface.

3.4.7 ENCODER POWER (E=?)

When using an altitude encoder, it may be desirable to only have it powered up when the transponder is operating in mode C. This may save power, as most encoders will typically draw 125 to 150mA when operating.

The operator should allow up to 7 minutes for the encoder to “warm up” before valid altitude data is outputted from the encoder.

3.4.8 VOLTAGE (V=?)

The T2000UAV-S will report the current vehicle bus voltage by polling the “v” parameter. To use this function operator must first set the reference bus voltage by setting v=1 for 14V operation, or v=2 for 28V operation.

3.4.9 REPLY ANNUNCIATOR (R=Y)

A conventional transponder normally has an annunciator of some type (typically a flashing LED) to indicate the rate of reply to SSR interrogations. This indication represents whether the transponder has made a reply to a “sweep”. The rotational speed of the radar is 100 deg/sec, hence the Annunciator should flash every 3.6 seconds.

The equivalent function for the T2000UAV-S is the “r” command which activates the reply annunciator. When activated (r=y), the T2000UAV-S will send a single * character, if there was a reply made in the preceding 3.6 seconds. When not activated (r=n), no character is sent.

The operator can query the status of the reply annunciator function (r=?), and the T2000UAV-S will reply with the current function state.

3.4.10 PING FUNCTION (P=?)

The ping function is a self test of the RF sections of the transponder, without the need for a transponder test set. The T2000UAV-S will respond to the “ping” command (p=?) by emitting a narrow (invalid) pulse from the transmitter, and detecting the same pulse back through the receiver.

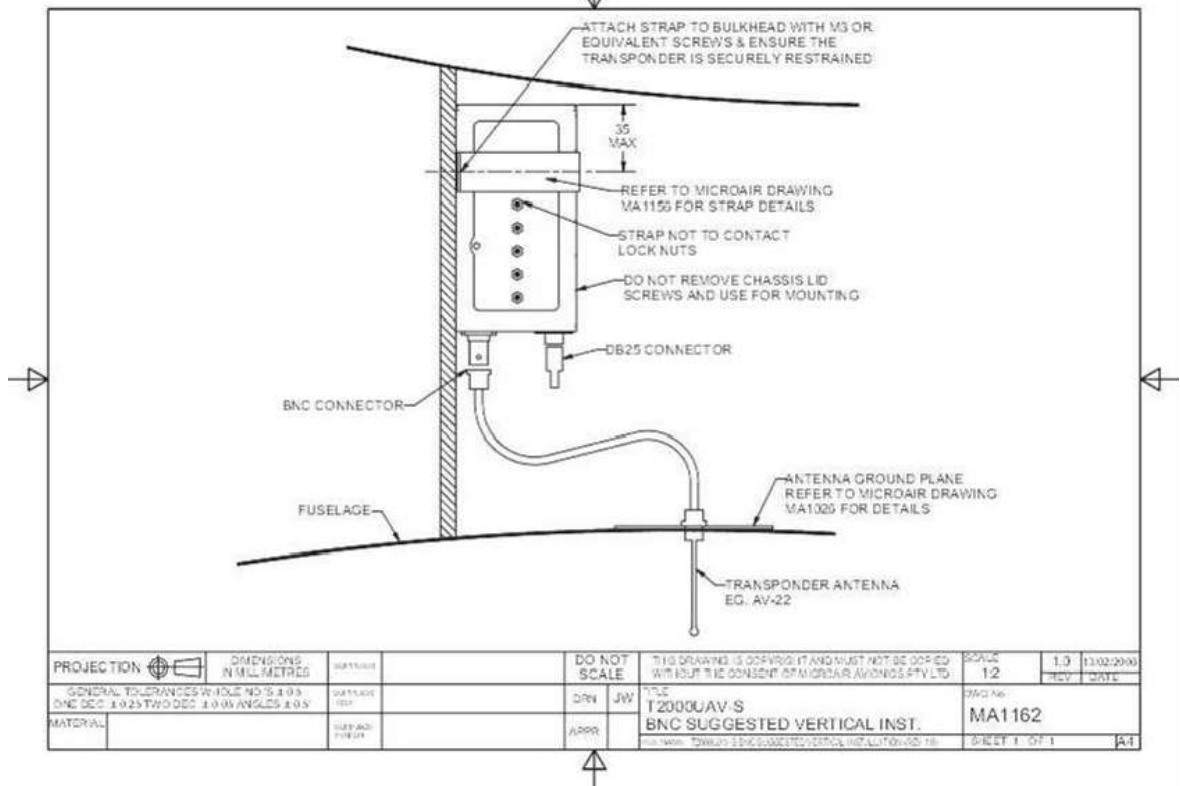
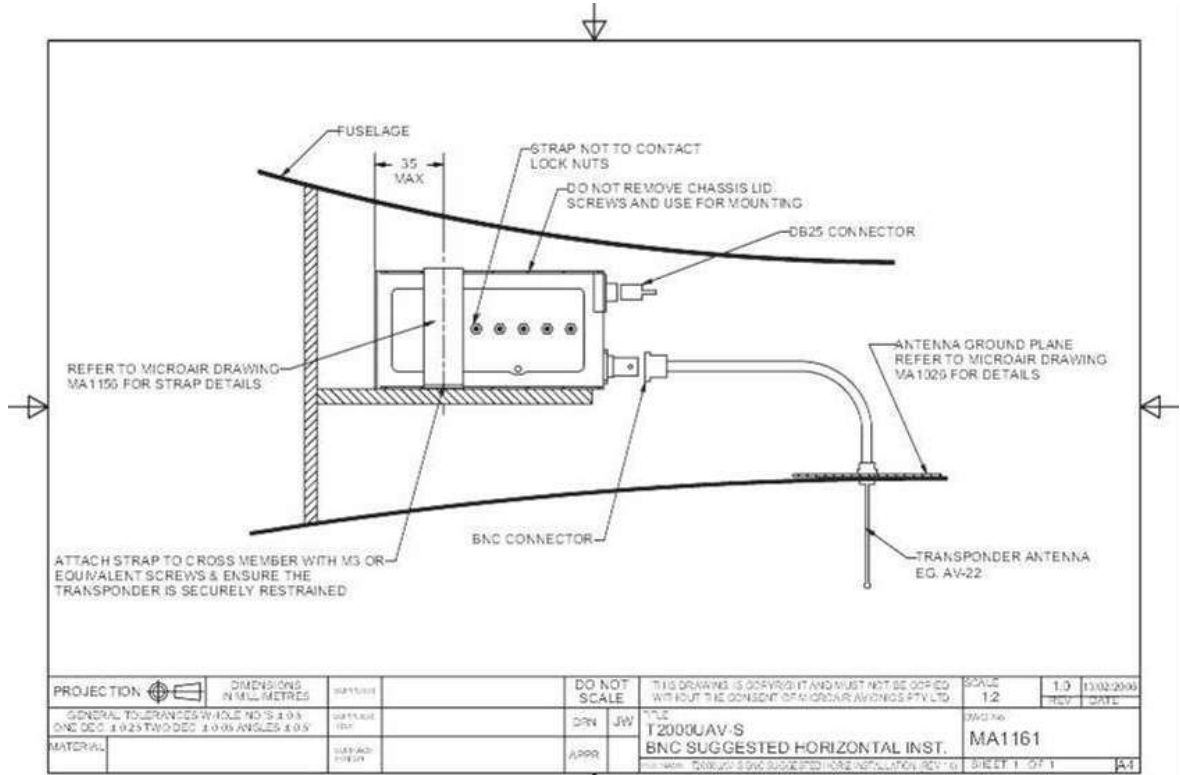
If the T2000UAV-S is able to complete the transmission cycle, p=y is returned to the operator.

If the T2000UAV-S is not able to complete the transmission cycle, p=n is returned to the operator.



*The ping function will only operate if the transponder is in mode a or c.
The ping function will not operate while the transponder is in standby mode.*

4.0 T2000UAV-S INSTALLATION

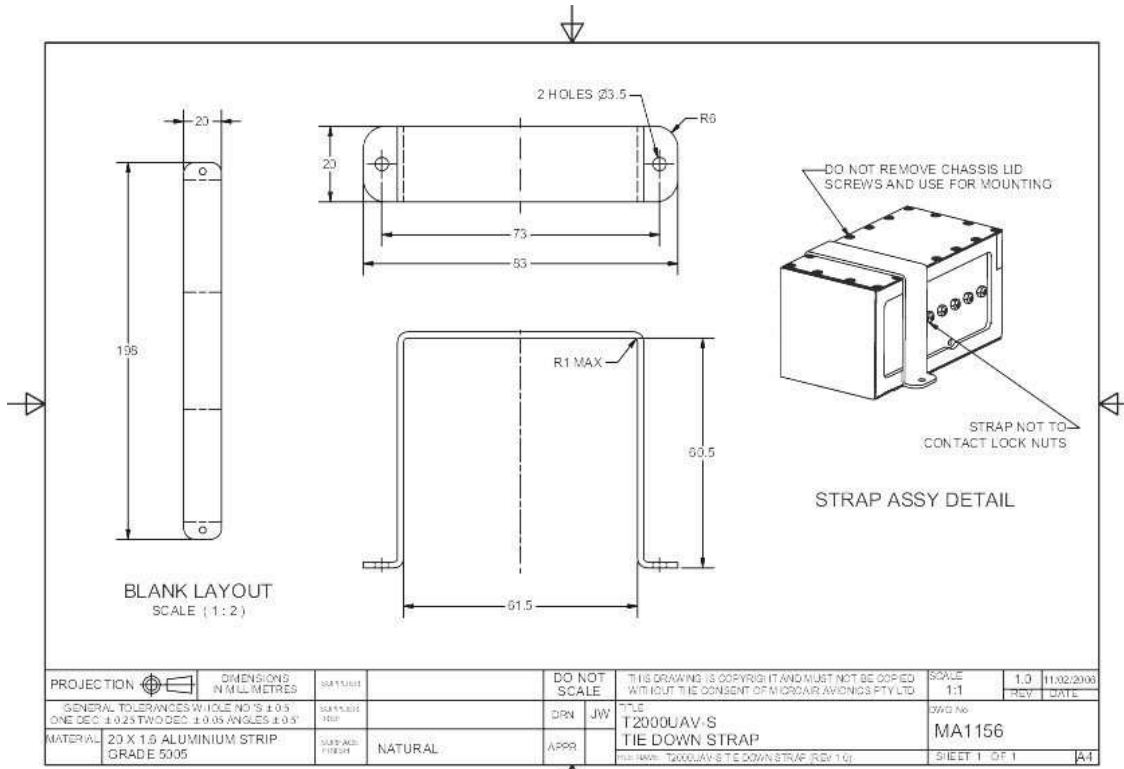


5.0 T2000UAV-S TIE DOWN STRAP

Microair recommends a simple tie down strap, to hold the transponder in place. Drawing MA1156 shows the layout and use of a simple example.



Never use the case screws as part of the mounting system for the transponder. Always locate the strap over the chassis at a point which remains clear of the filter lock nuts.



6.0 MODE C ENCODER

Mount the mode C blind encoder as per the manufacturer’s installation instructions. All wiring can be run back to the T2000UAV-S for connection (refer wiring diagram). The power for the encoder is supplied from the T2000UAV-S. This power is switched when the T2000UAV-S is turned on.



IMPORTANT NOTE
Most encoder manufacturers advise of a warm up period for their product before altitude data is supplied. The period can typically be up to 10 minutes.

Where the OEM intends to use their own barometric altitude data source, it should comply to TSO C88a standard, to be sure of compatibility with the T2000UAV-S.

Although it is unlikely that the encoder source in a UAV installation will require switched power from the T2000UAV-S, it is recommended that the ground be wired with the data lines in all cases. This will ensure correct signal operation of the Gillham code.

7.0 ANTENNA

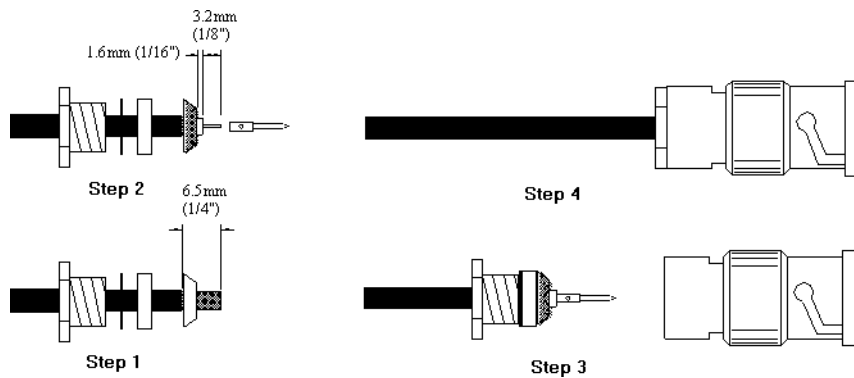
Mount the transponder antenna as per the manufacturer's installation instructions. Try and keep the cable runs as short as possible. In a composite airframe a suitable ground plane will be required. Avoid mounting the antenna inside a fuselage that is all metal or carbon fibre.

For fiberglass fuselages the antenna may be mounted internally, but must still point downwards and have an adequate ground plane. Alternatively an approved dipole strip antenna may be used. The dipole strip must be installed in accordance with the manufacturer's instructions.

To avoid possible interference the antenna must be mounted a minimum of 200mm (8 inches) from the **T2000UAV-S** main unit. The transponder antenna should be mounted 2metres (78 inches) from the **DME** antenna, 1.5 metres (58 inches) from the **ADF** sense antenna, and 1metre (39 inches) from **TCAS** antennas.

8.0 COAXIAL CABLE

The T2000SFL allows for 1.5dB cable loss from the unit to the antenna. The installer should consider carefully what type of coaxial cable is to be used, so that this loss limit is not exceeded. The cable should be terminated with silver plated BNC connectors where possible.



Microair recommends the following:

Cable	Bending Radius	Loss @ 1Ghz dB/m	Max Length	TX Power	RX Sensitivity
RG58/C/U (Mil Spec)	50mm (2")	0.76dB/m 0.21dB/ft	2.0m 7ft	142W	-70dBm
RG213/A/U (Mil Spec)	125mm (5")	0.26dB/m 0.08dB/ft	5.75m 19ft	142W	-70dBm
RG223/U (Mil Spec)	100mm (4")	0.47dB/m 0.14dB/ft	3.2m 10ft	142W	-70dBm
RG400 (Mil Spec)	50mm (2")	0.60dB/m 0.18dB/ft	2.5m 8ft	142W	-70dBm
Belden 8262	50mm (2")	0.68dB/m 0.21dB/ft	2.2m 7ft	142W	-70dBm
URM-43	50mm (2")	0.47dB/m 0.14dB/ft	3.2m 10ft	142W	-70dBm



IMPORTANT NOTE

Do not exceed the minimum bending radius. Tight bends will introduce losses in the cable, which may affect the performance of the transponder. When fixing the coax cable in the airframe, do not "strangle" the cable with tight cable ties. This can distort or damage the coax screen.

9.0 WIRING

The **T2000UAV-S** Transponder receives primary power (14V or 28V dc) from the aircraft's power source. Power connections, voltage, and circuit breaker requirements are shown on the wiring diagram. The length of the power supply wires to parallel pins should be approximately the same length, so that the best distribution of current can be effected.

Microair recommends that the encoder be installed and wired in accordance with the manufacturer's installation instructions.

It is very important to secure all D series plugs via their security screws before operation. Aircraft vibration may disconnect a D series plug if it not secured.

Where possible, the antenna coaxial cable should be run separately to all other wiring on the aircraft from the transponder.

9.1 CABLING

Microair recommends that wiring for all of the T2000UAV-S' functions and connections be run at the time of installation, even though they may not be required at this stage. Adding additional wiring to the loom at a later stage may be very difficult.

All wiring should be installed in accordance with FAA AC43.13-1A Chapter 11 or equivalent.

Microair recommends the following cable types for connection of the T2000UAV-S:

Power Input	18 AWG TEFZEL 22759/16-16	Red and Black Wire
External Connections	22 AWG TEFZEL 22759/16-22 22 AWG TEFZEL 27500-22TG1T14	Wire or Single core shielded
Encoder Power	22 AWG TEFZEL 22759/16-22	Red and Black Wire
Encoder Data	22 AWG TEFZEL 22759/16-22	White Wire

When terminating the DB plugs for connection to the T2000UAV-S, ensure that the wires are securely soldered to the pins, and that each wire is separately insulated with heatshrink tubing.



“Tinned” wire



Soldered with heatshrink



Locking bolts tightened

The DB-25 plug are to be secured to the T2000UAV-S with machine screws or thumb screws. The DB-15 should also be secured to the encoder, either with screws, or mechanical sliding lock (if fitted to some types of encoder).

If your encoder is fitted with a slide locking mechanism, the encoder manufacturer's plug should be used, to ensure correct locking action.

9.2 POWER ON/OFF

The T2000UAV-S has no ON/OFF control function. The unit is on from the moment power is applied to the unit. There is no software OFF command. When power is removed from the T2000UAV-S, it will not respond to any software command.

When the T2000UVA-S is turned on, it is always in standby mode. The mode A code will default to the last mode A code used.



IMPORTANT NOTE

Always bring the T2000UAV-S to standby before turning off the power. If the transponder is powered off while it is in the process of transmitting, damage may occur to the internal power supply and/or the transmitter. Damage of this type is not covered by the warranty.

No mode C code will be outputted until the T2000UAV-S is supplied with altitude data (either serial or Gillham) which can be encoded by the transponder.

9.3 SUPPRESSION IN / OUT

The suppression IN line is wired to other avionics such as DME, to “suppress” the transponder’s transmissions, at times critical to the other equipment’s operation.

The suppression OUT line does the reverse of the IN line. It is wired to other avionic equipment to allow the T2000UAV-S to “suppress” their transmissions at times critical to the T2000UAV-S’ operation.

Seek the advice of a qualified Avionics Technician before attempting to wire out these functions. If certified equipment is modified to operate in conjunction with the T2000UAV-S installation, then the installation of that equipment must be re-inspected and re-approved before operation.

9.4 EXTERNAL STANDBY

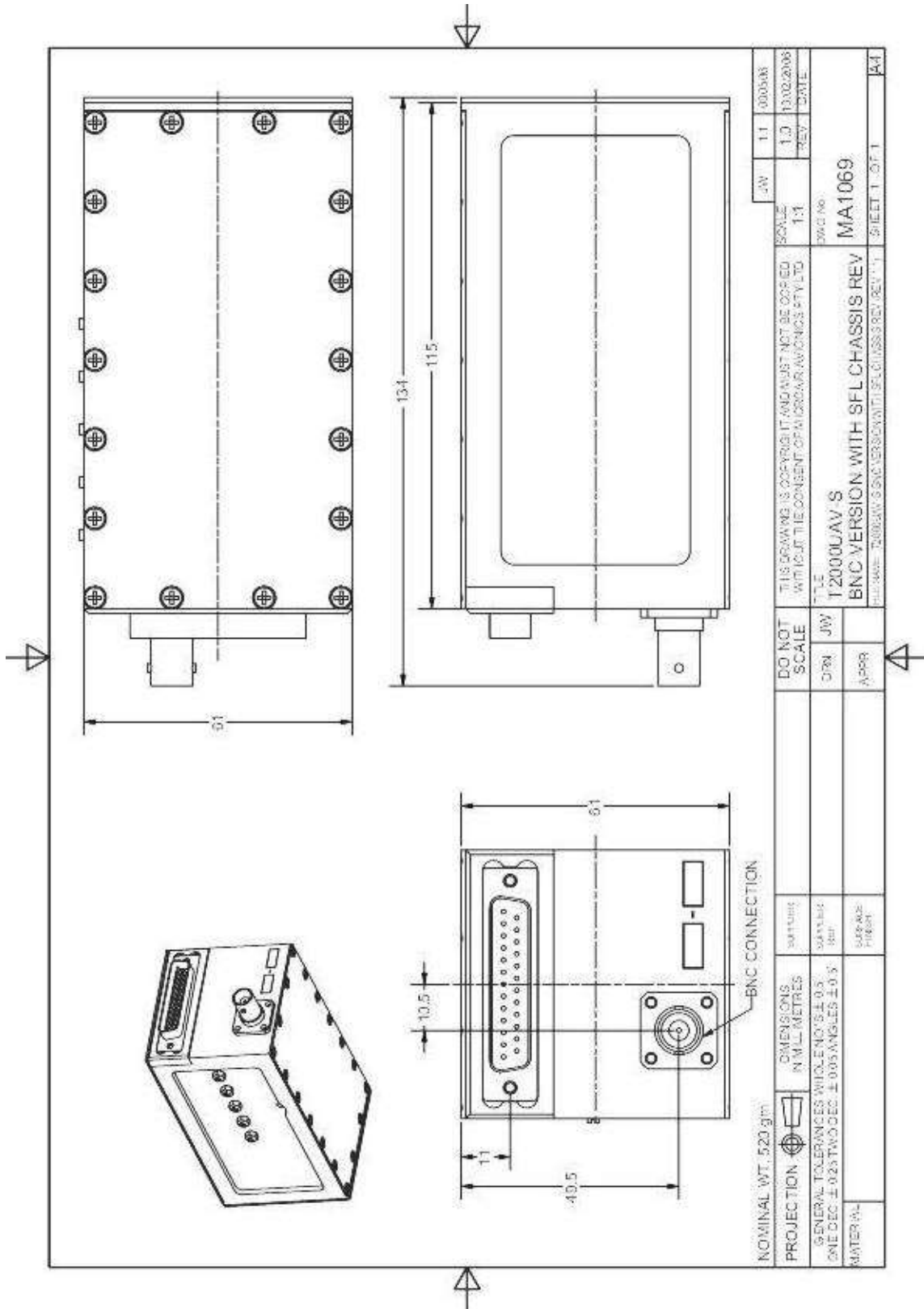
The external standby can be wired to a remote switch. When the line is taken to ground the T2000UAV-S will return to standby mode, and stay there regardless of the value for “s” parameter. The “s” parameter cannot be queried while the external standby line is grounded.

Once the external standby line has been “released” from ground, the T2000UAV-S will revert to the last “s” parameter setting.

9.5 EXTERNAL IDENT

Future development.

10.0 TECHNICAL DRAWING



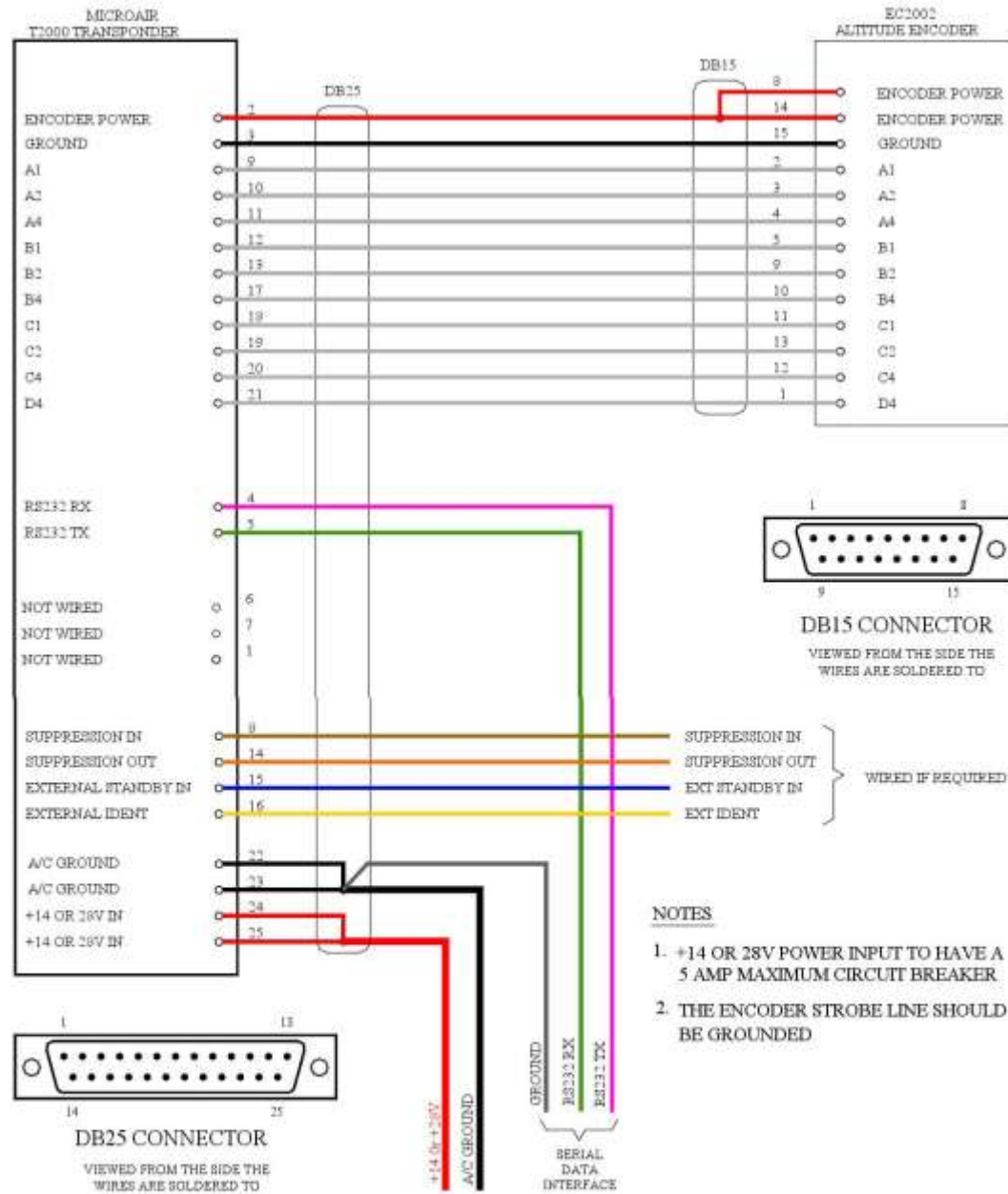
11.0 WIRING DIAGRAMS

T2000UAV-S with EC2002 Altitude Encoder

T2000UAV-S with AK-350 Altitude Encoder

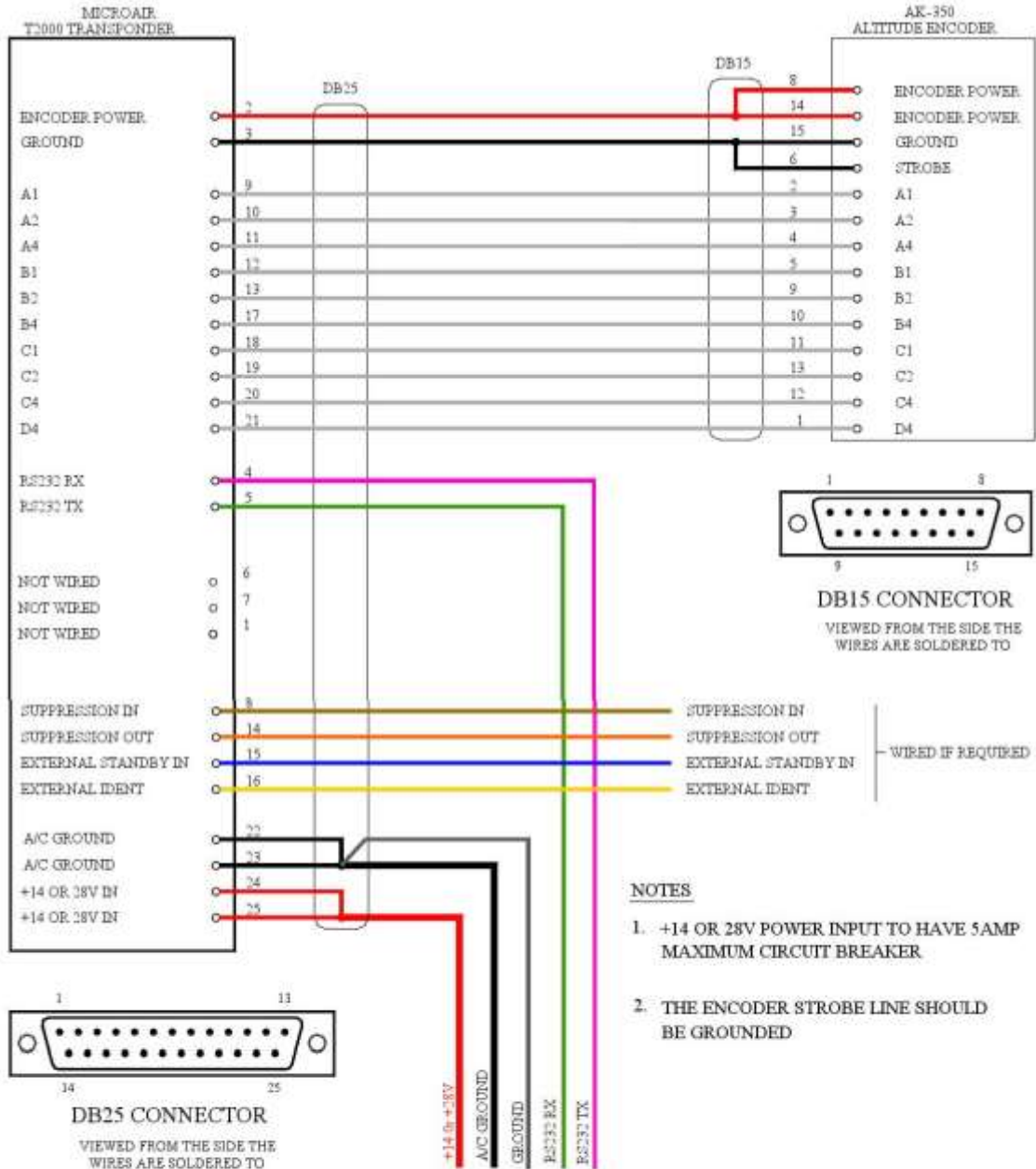
T2000UAV-S with A-30 Altitude Encoder

T2000UAV-S with serial altitude data interface

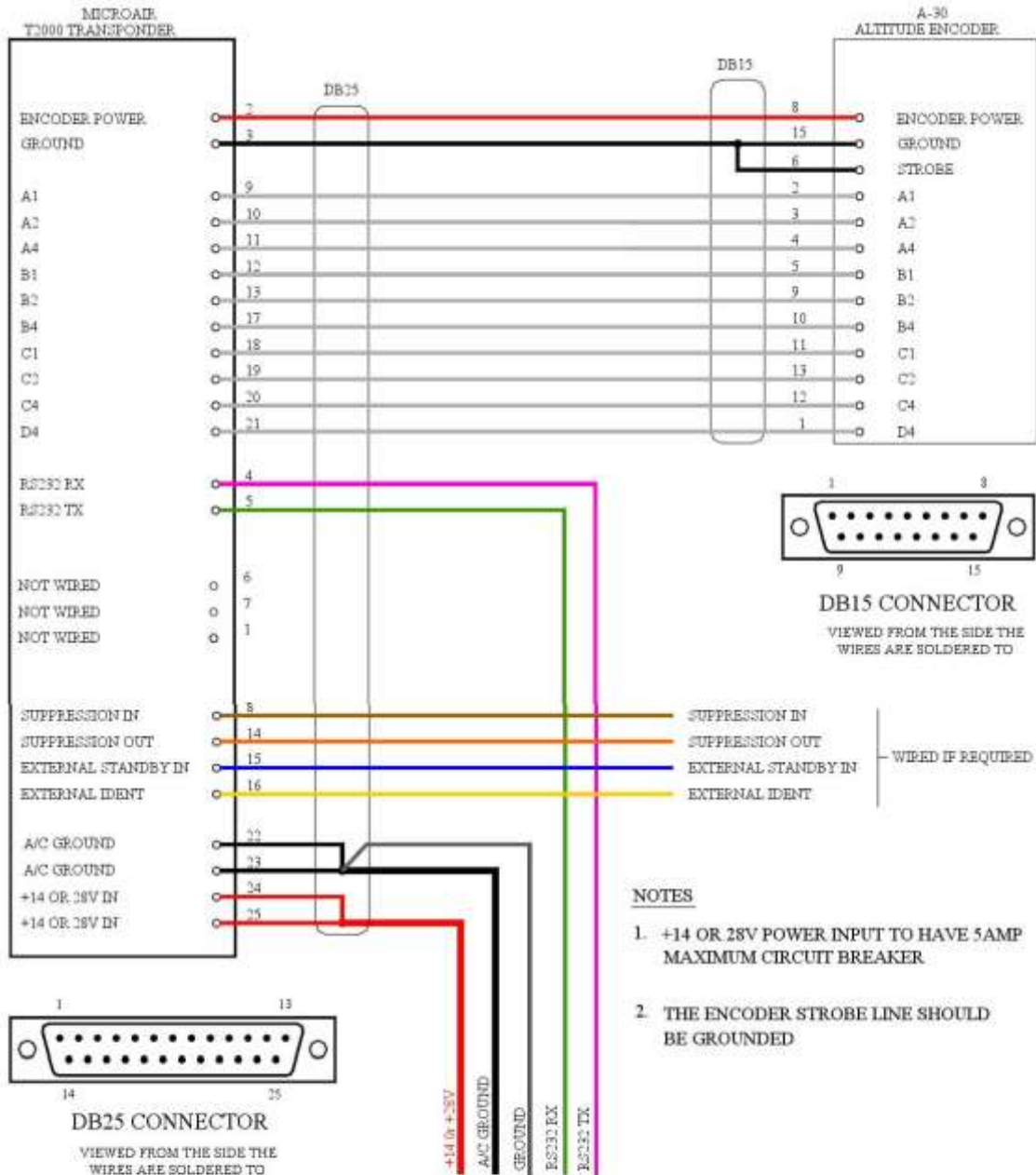


MICROAIR AVIONICS
T2000UAV-S TRANSPONDER
WIRING DIAGRAM
WITH A-30 ALTITUDE ENCODER



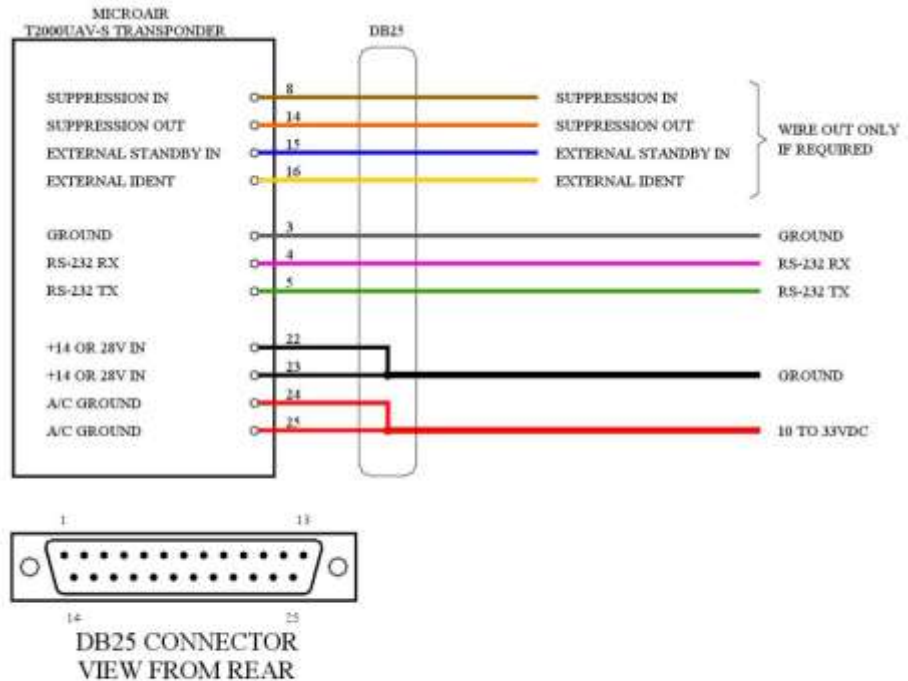


MICROAIR AVIONICS
T2000UAV-S TRANSPONDER
WIRING DIAGRAM
WITH AK-350 ALTITUDE ENCODER



MICROAIR AVIONICS
T2000UAV-S TRANSPONDER
 WIRING DIAGRAM
 WITH A-30 ALTITUDE ENCODER





NOTES

1. +14 OR 28V POWER INPUT TO HAVE 5AMP MINIMUM CIRCUIT BREAKER
2. EXTERNAL IDENT SWITCH IF FITTED SHOULD BE MOMENTARY-ON ONLY
3. EXTERNAL STANDBY SWITCH IS NORMALLY CLOSED TO GROUND TO OPERATE
4. SUPPRESSION IN LOW GOING HIGH (>5Vdc <20Vdc)
SUPPRESSION OUT LOW GOING HIGH (+5Vdc)
5. RS-232 INTERAFCE IS "NULL MODEM" WITH NO HANDSHAKE

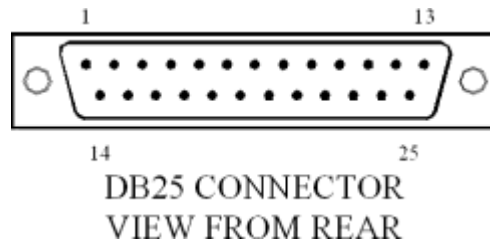


**MICROAIR AVIONCS
T2000UAV-S TRANSPONDER
WIRING DIAGRAM
SERIAL ALTITUDE DATA INPUT**

12.0 PIN ASSIGNMENTS

The DB plugs for use with the T2000 series Transponders, require the following pin assignments.

PIN 1	NOT WIRED
PIN 2	SWITCHED MODE C ENCODER POWER OUTPUT
PIN 3	GROUND
PIN 4	RS232 RX
PIN 5	RS232 TX
PIN 6	NOT WIRED
PIN 7	NOT WIRED
PIN 8	SUPPRESSION IN
PIN 9	GILLHAM ALTITUDE A1
PIN 10	GILLHAM ALTITUDE A2
PIN 11	GILLHAM ALTITUDE A4
PIN 12	GILLHAM ALTITUDE B1
PIN 13	GILLHAM ALTITUDE B2
PIN 14	SUPPRESSION OUT
PIN 15	EXTERNAL STANDBY IN
PIN 16	EXTERNAL IDENT
PIN 17	GILLHAM ALTITUDE B4
PIN 18	GILLHAM ALTITUDE C1
PIN 19	GILLHAM ALTITUDE C2
PIN 20	GILLHAM ALTITUDE C4
PIN 21	GILLHAM ALTITUDE D4
PIN 22	POWER GROUND
PIN 23	POWER GROUND
PIN 24	POWER 14 OR 28 VOLTS DC (10-33 VOLTS)
PIN 25	POWER 14 OR 28 VOLTS DC (10-33 VOLTS)



13.0 SPECIFICATIONS

RTCA Compliance	DO-144 DO-160D DO-178B Level C
Transmitter	1090MHz +/-0.2MHz 200W Pulse Output 80nS Rise Time 120nS Fall Time
Receiver	+10 to -72dBm Dynamic Range 1030MHz Centre Frequency +/-5MHz Pass band @ -3dB
Input Power	10-33Vdc 100-150mA @ 28V 150-200mA @ 14V
Operational Modes	Standby Mode 3A (4096 codes) Mode 3A/C
Temperature	-20° C to +55° C
Dimensions	Width 61mm Height 61mm Length 134mm
Weight	520g (1.1 lbs)

Specifications are subject to change without notice.